



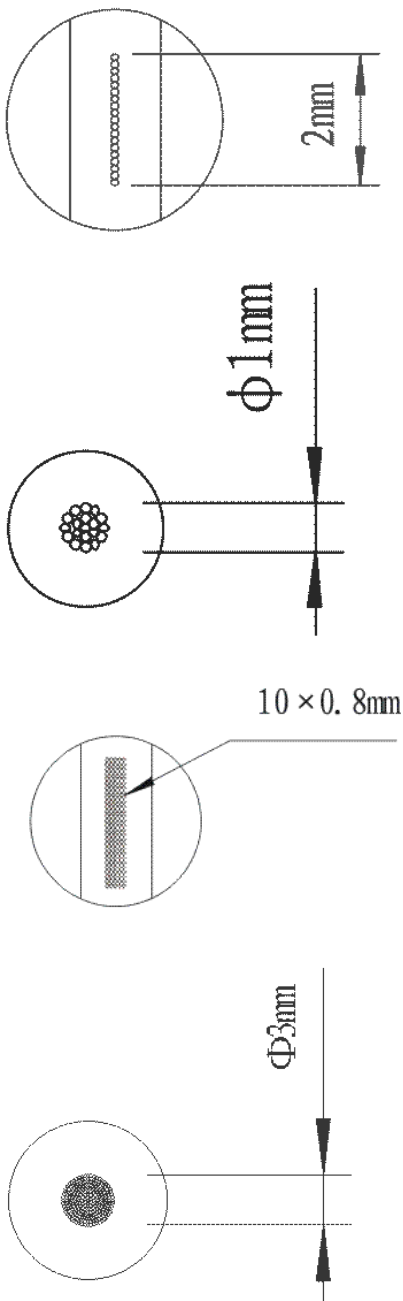
Accessories - BFC

Spectrograph Fiber Bundle Connector

BFC - 441 spectrograph fiber adaptor holds fiber bundles directly at the entrance slit of Omni-lambda series monochromators / spectrographs. BFC - 442 SMA905 fiber connector adaptor.

SPECIFICATIONS

Fibre Optic Type Spectral Range (nm)



FLG-401-1 200 - 1100

FLG-401-3 200 - 1100

FLG-402-1 400 - 2400

FLG-402-3 400 - 2400

FLG-403-1 400 - 1800

FLG-403-3 400 - 1800

FLG-405-1.2 380 - 800